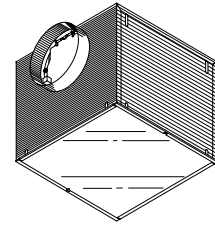


LOSONE® SELECT™ IN-LINE VENTILATORS MODELS L100L & L150L



Incredibly reliable. Unbelievably quiet. Offering the CFM choices you need at the lowest sound levels in the industry.

FEATURES

BLOWER:

- Low RPM for quiet operation
- Resilient anti-vibration mounts
- Dynamically-balanced, polymeric, centrifugal blower wheel for quiet, efficient performance
- Permanently lubricated, thermally protected motor
- Plug-in motor rated at 120 VAC
- Designed for continuous operation

HOUSING:

- Rugged, 20 gauge galvanized steel
- 6" round duct connectors
- 1/2" acoustic insulation inside
- May be installed in ceiling or wall (size permitting)
- 8-position mounting brackets for easy installation and greater adaptability to various mounting requirements
- Automatic backdraft damper located within duct connector
- Factory-shipped in horizontal discharge position - easily converted to vertical discharge
- Removable panel allows easy access to the motor without disturbing ductwork

CONTROLS:

- Model 57V (Ivory) / 57W (White) 3-Amp, Electronic Variable Speed Control
- Model 59V (Ivory) / 59W (White) 60-Minute Time Control
- Model 61V (Ivory) / 61W (White) 15-Minute Time Control
- Model 71V (Ivory) / 71W (White) 12-Hour Time Control
- Model 72V (Ivory) / 72W (White) 6-Amp, Electronic Variable Speed Control

BROAN MFG. CO., INC. 926 W. STATE ST. HARTFORD, WISCONSIN 53027 (1-800-548-0790)
BROAN LIMITED, 1140 TRISTAR DR. MISSISSAUGA, ONTARIO L5T 1H9 (905-670-2500)

TYPICAL SPECIFICATION

Ventilator shall be Broan Model L100L, (L150L).

Ventilator shall have galvanized steel housing. Housing to have adjustable mounting brackets and removable panel to allow access to motor without disturbing ductwork.

Automatic backdraft damper to be located within duct connector. Duct connector, blower assembly and wiring plate shall be adjustable for either horizontal or vertical installation.

Blower unit shall be removable from housing and will have a polymeric, dynamically balanced centrifugal-type blower wheel. Motor to be permanently lubricated and mounted with resilient anti-vibration mounts. RPM not to exceed number listed for each model.

Air delivery shall be no less and sound levels no greater than listed for each model. All air and sound ratings shall be certified by AMCA. Units to be UL and cUL listed.



"Broan Mfg. Co., Inc. certifies that the models shown herein are licensed to bear the AMCA Seal. The ratings shown are based on tests and procedures performed in accordance with AMCA Publication 211 (and AMCA Publication 311 if sound is also certified) and comply with the requirements of the AMCA Certified Ratings Program"



REFERENCE	QTY.	REMARKS	Project
			Location
			Architect
			Engineer
			Contractor
			Submitted by Date

PERFORMANCE RATINGS - LOSONE® SELECT™ IN-LINE VENTILATORS MODELS L100L & L150L

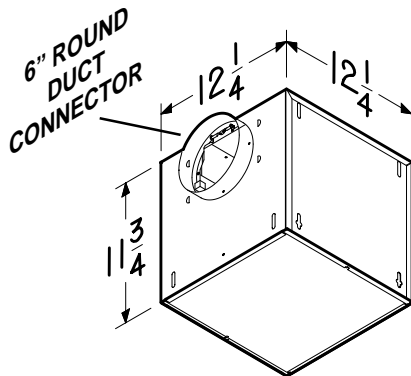
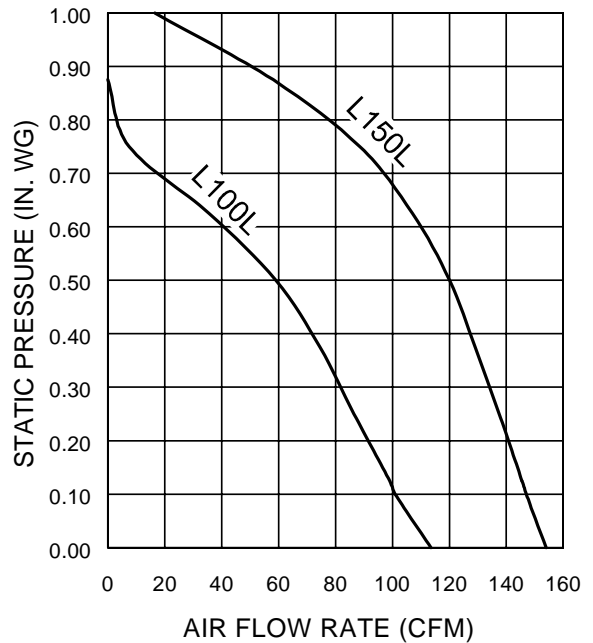
AMCA LICENSED PERFORMANCE

CFM / SONES - AT STATIC PRESSURES (Ps - inches of H ₂ O)																
MODEL NO.	NOMINAL VOLTAGE		0.0" Ps	.10" Ps	.125" Ps	.250" Ps	.375" Ps	.50" Ps	.625" Ps	.750" Ps	.875" Ps	1.0" Ps	NOMINAL RPM	AMPS @60 Hz	WATTS	
L100L	120 VAC	CFM St.Thr.	118	105	103	90	75	54	29				765	1.1	77	
		SONES St.Thr.	0.1	0.3	0.3	0.6	1.0	1.2	1.3							
		CFM Rt.Ang.	109	97	95	83	74	64	42	15				775	1.1	77
		SONES Rt.Ang.	0.1	0.3	0.3	0.6	1.2	1.2	1.4	1.6						
L150L	120 VAC	CFM St.Thr.	160	151	149	140	131	121	106	85	54	8	890	1.4	103	
		SONES St.Thr.	0.4	0.6	0.8	1.2	1.4	1.6	1.9	2.1	2.2	2.2				
		CFM Rt.Ang.	148	143	142	135	127	119	108	92	62	25	975	1.3	101	
		SONES Rt.Ang.	1.0	1.2	1.3	1.5	1.8	2.0	2.3	2.5	2.6	2.7				

The performances shown are with inlet grille, backdraft damper and outlet duct. RPM shown is nominal and the performance is based on actual speed of test. The sound ratings shown are loudness values in fan sones at 5' (1.5m) in a hemispherical free field calculated per AMCA Std. 301. Values shown are for installation Type B: free inlet fan sone levels.



"Broan Mfg. Co., Inc. certifies that the models shown herein are licensed to bear the AMCA Seal. The ratings shown are based on tests and procedures performed in accordance with AMCA Publication 211 (and AMCA Publication 311 if sound is also certified) and comply with the requirements of the AMCA Certified Ratings Program."



WEIGHT

MODEL NO.	SHIPPING WT.
L100L	22.9 lbs.
L150L	22.9 lbs.



BROAN MFG. CO., INC. HARTFORD, WISCONSIN 53027
1-800-548-0790